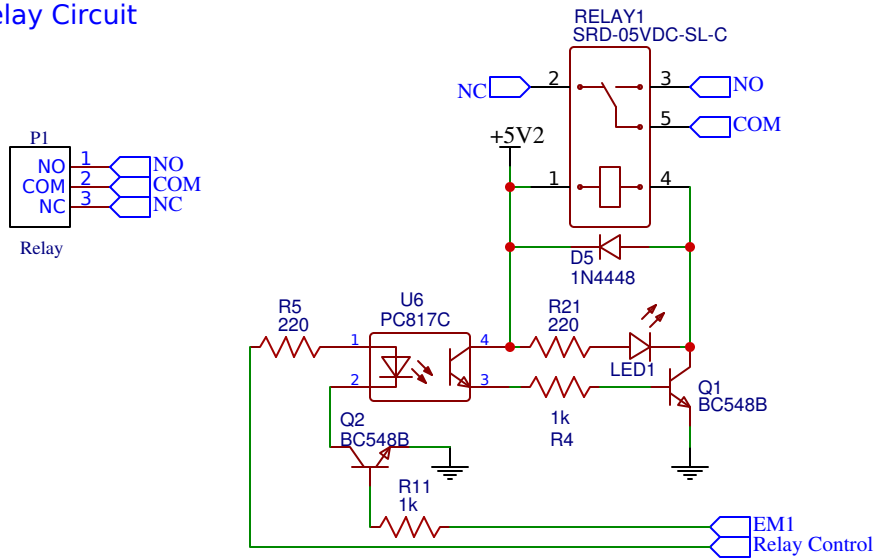
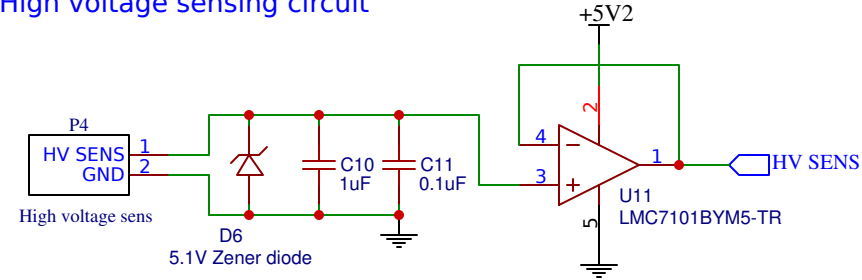


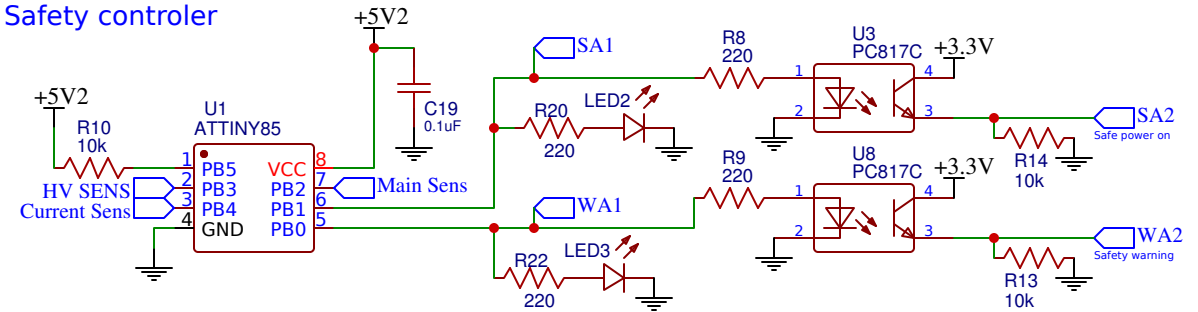
Relay Circuit



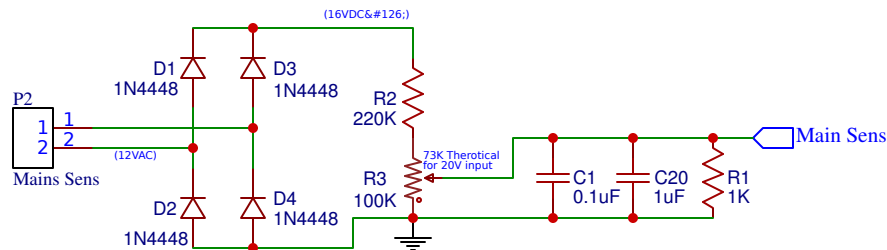
High voltage sensing circuit



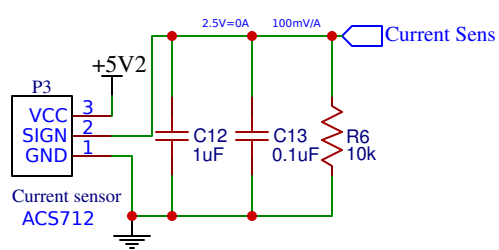
Safety controller



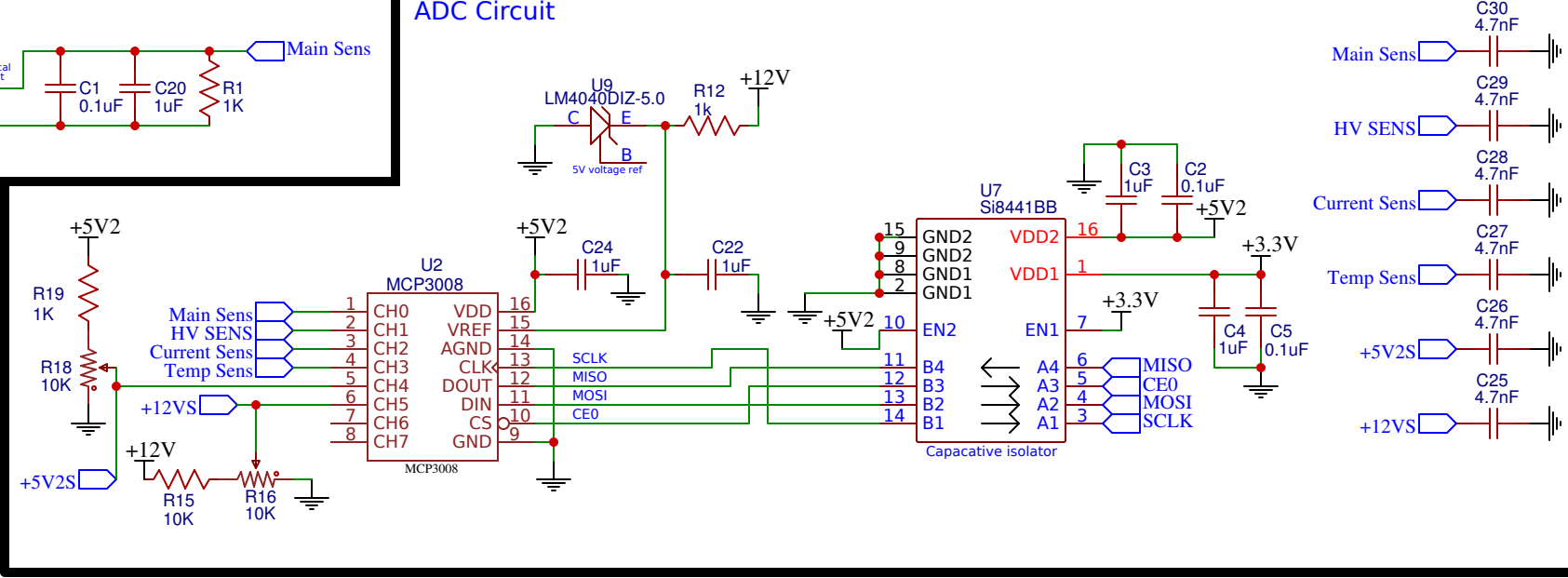
Mains voltage sensing circuit



Mains current sensing circuit



ADC Circuit



TITLE: Fusor controller		REV: 1.2
Date: 2018-07-22	Sheet: 1/2	
EasyEDA V5.6.15	Drawn By: Robin Peeten	